

# Hi-Lift®

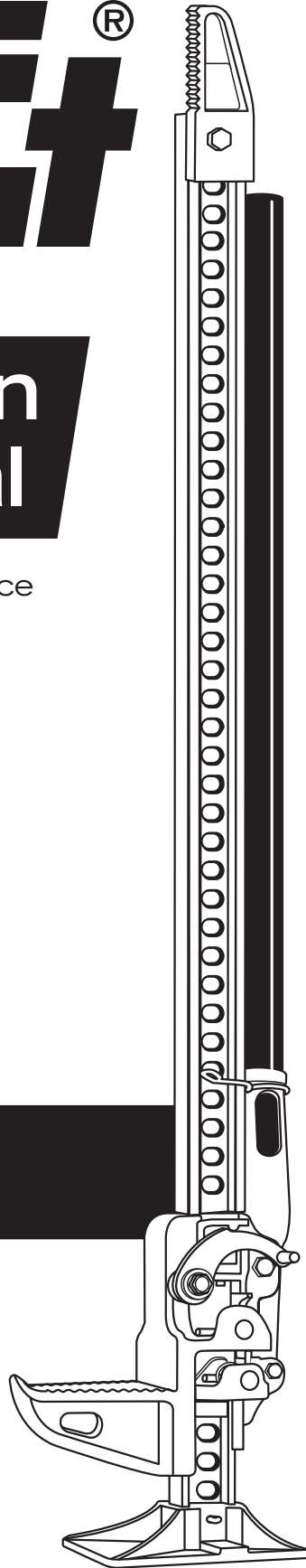
## Instruction Manual

Operation / Safety / Maintenance

Meets applicable requirements of  
ASME/ANSI B30.1 2004  
AU/NZS 2693:2007

Read this instruction manual  
before using the Hi-Lift® Jack

The instruction manual is also  
available in Spanish and French at  
no charge upon request.





# Contents

<b>Hi-Lift Jack Components</b> .....	1
<b>Safety</b> .....	3
Safety Symbols .....	3
Safety Warnings .....	4
Handle Safety Decal .....	5
General Safety .....	6
<b>Operation Instructions</b> .....	7
Raising a Stationary Load .....	7
Lowering a Stationary Load .....	10
Clamping or Winching .....	11
<b>Maintenance Instructions</b> .....	13
Clean .....	13
Binding .....	13
Storing the Jack .....	13
Storing the Equipment-Agricultural Jack .....	13
Inspection .....	13
Lubrication .....	14
Repair .....	14
<b>Parts</b> .....	16
<b>Specifications</b> .....	18
<b>Limited Warranty</b> .....	20



## Hi-Lift Jack Company

P.O. Box 228  
Bloomfield, IN 47424-0228 USA

**Toll Free:** 800.233.2051

**Direct:** 812.384.4441

**Fax:** 812.384.4592

**Web:** <http://www.hi-lift.com>

## To the Owner / User

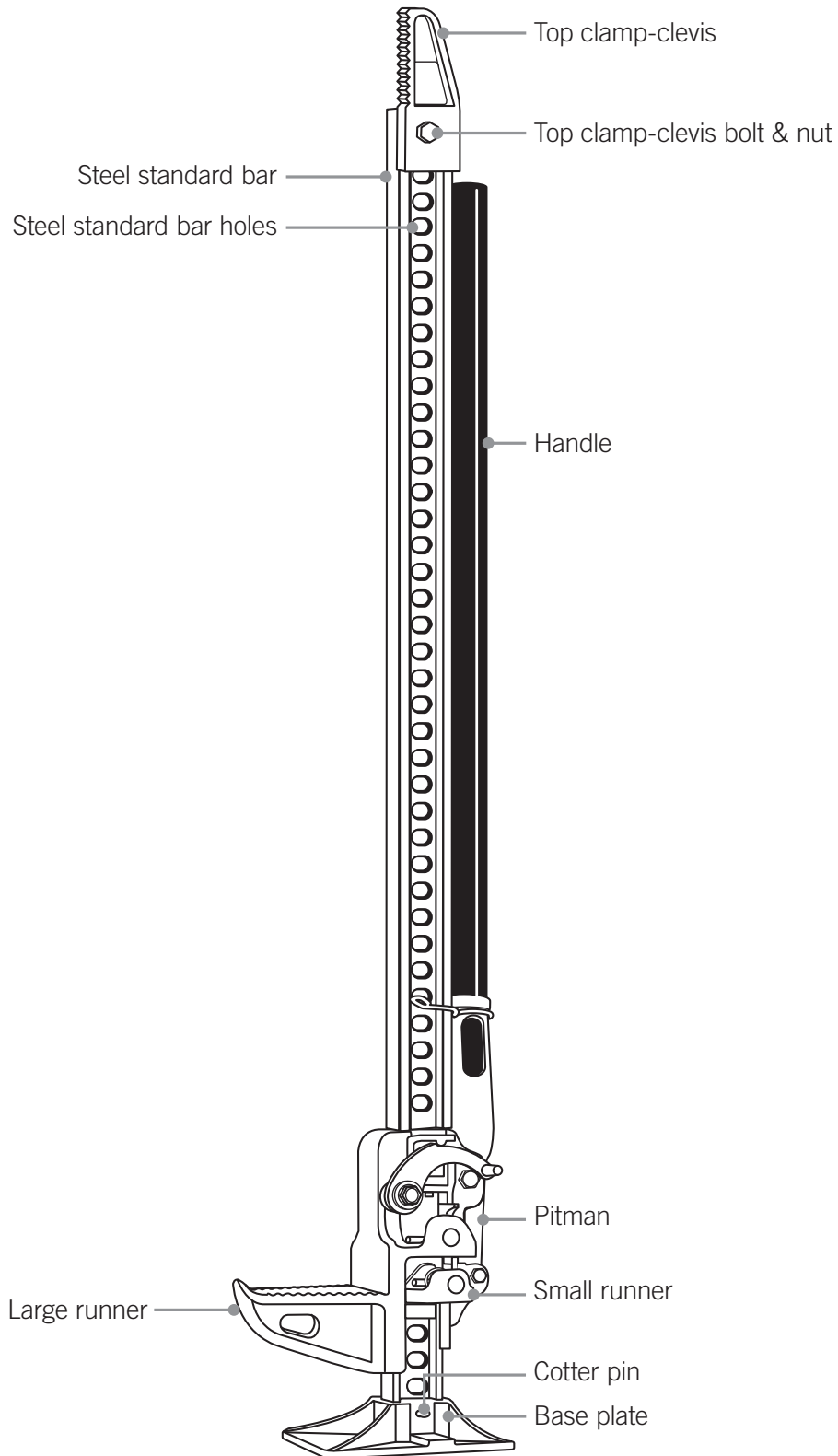
**Thank you** for purchasing this Hi-Lift® Jack. With proper use and care, your jack will give you years of dependable service. You can use the Hi-Lift® Jack in many ways, including:

- Lifting stable loads.
- Winching loads.
- Clamping
- Spreading.
- Raising vehicles or other mobile loads (when properly chocked, blocked and stabilized).

Store these instructions in the handle of your jack. Use only genuine Hi-Lift® replacement parts. Using replacement parts not supplied by Hi-Lift® Jack Company will make the jack unsafe for use and void the warranty.

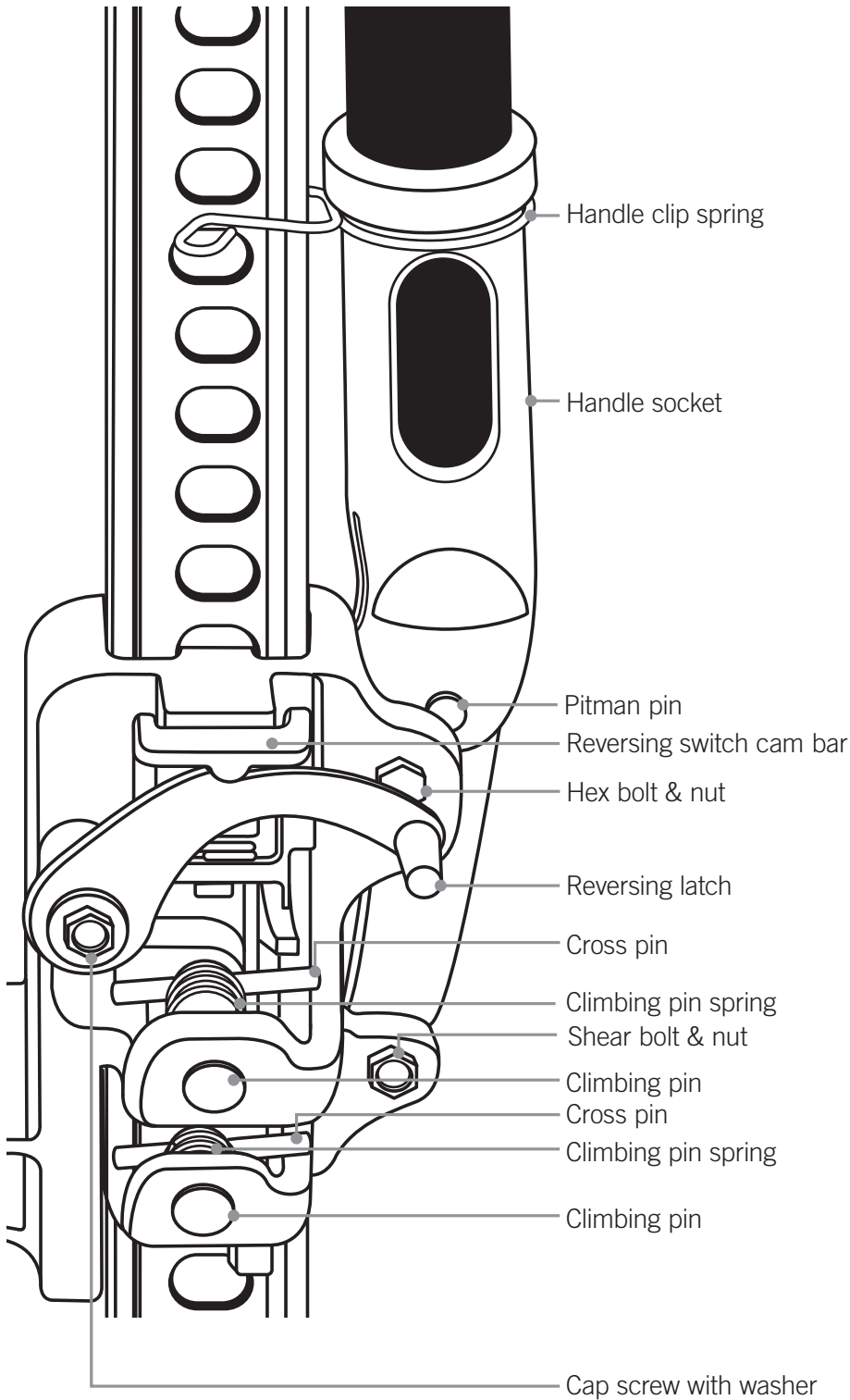
# Hi-Lift Jack Components

Get to know the components of your jack before you begin use.



Components · Running Gear

The following shows the parts associated with the running gear:



## Safety



All users must read and understand the instructions and safety warnings in this manual and the safety labels placed on the product before using the jack. Each user must use the jack safely and maintain it properly.

If any users are not fluent in English, have someone read the instructions to them. Manuals are also available in other languages upon request at no charge.

If you have any questions about using the jack safely or if you need a new label or manual, see the contact information on the opposite page.

### Safety Symbols

#### **DANGER**

The DANGER! safety symbol indicates a hazard or unsafe practice that **will** result in serious injury or death.

#### **WARNING**

The WARNING! safety symbol indicates a hazard or unsafe practice that **could** result in serious injury or death.

# Safety Warnings

## ⚠ DANGER



DO NOT USE THE JACK TO SUPPORT OR STABILIZE A LOAD. Using the jack to support or stabilize a load may result in unexpected movement and result in serious injury, being crushed and death. Always securely chock and block (stabilize) the load to be lifted. Never place any part of the body under a raised load without properly chocking and supporting the load.

Using the jack on curved or tubular vehicle bumpers will result in the vehicle slipping off the jack and falling, causing serious injury or death. Use the Bumper Lift or Lift-Mate to lift most vehicles with curved bumpers or plastic bumpers.



When using the jack as a winch:

Always use chains or tow straps that have a greater working load than the jack. If a chain or tow strap breaks while winching, the load could shift or the chain or tow strap could snap back.

When used as a winch, the top clamp-clevis will support up to 5,000 lbs. (2273 kg). Going over this limit will result in the top clamp-clevis bending or breaking, causing the load to move or the chain or tow strap to snap back. This will result in serious injury or death.

When using the jack for clamping, the maximum clamping force of the standard top clamp-clevis is 750 lbs. (340 kg). If you exceed this limit, the standard top clamp-clevis could bend or break, resulting in serious injury or death.



Unexpected movement of the jack handle may result in the user being struck causing serious injury or death. Always keep your head away from and out of the jack handle path of movement.

The jack handle may move rapidly when moving the reversing latch and cause serious injury or death. Always place the handle against the steel standard bar with the handle clip spring holding it up before moving the reversing latch. This will prevent the handle from moving up and down rapidly. Securely hold on to the jack handle so your hands do not slip and ensure the handle is not in the horizontal position when moving the reversing latch.

**Important!** During lifting and lowering, the weight of the load pushes **up** against the jack's handle. If your hands slip off the handle, or if the handle is horizontal when you move the reversing latch, it may move up very quickly.



Raising an inflated tire more than 2" (5cm) above the ground or attempting to lift more than one wheel at a time may result in tip over, unexpected movement and serious injury or death. Always raise an inflated tire less than 2" (5cm) and only one tire at a time.

## ⚠ WARNING



The jack, while standing vertical and unsupported, may tip over and cause serious injury or death. Always support the jack or lay it on its side when not in use.

This jack will not operate safely without proper lubrication. Using the jack without proper lubrication will result in poor performance and damage to the jack. The jack is not self-lubricating, inspect the jack before use and lubricate when necessary.



# Handle Safety Decal

**Important!** Replace handle safety decal if damaged or removed.

**⚠ DANGER**



The following hazards or unsafe practices will cause serious injury or death

**DO NOT USE THE JACK TO SUPPORT OR STABILIZE A LOAD.** Using the jack to support or stabilize a load may result in unexpected movement and result in serious injury, being crushed and death. Always securely chock and block (stabilize) the load to be lifted. Never place any part of the body under a raised load without properly chocking and supporting the load.

Using the jack on curved or tubular vehicle bumpers will result in the vehicle slipping off the jack and falling, causing serious injury or death. Use the Bumper Lift or Lift-Mate to lift most vehicles with curved bumpers or plastic bumpers.

When using the jack as a winch:

Always use chains or tow straps that have a greater working load than the jack. If a chain or tow strap breaks while winching, the load could shift or the chain or tow strap could snap back.

When used as a winch, the top clamp-clevis will support up to 5,000 lbs. (2273 kg). Going over this limit will result in the top clamp-clevis bending or breaking, causing the load to move or the chain or tow strap to snap back. This will result in serious injury or death.

When using the jack for clamping, the maximum clamping force of the standard top clamp-clevis is 750 lbs. (340 kg). If you exceed this limit, the standard top clamp-clevis could bend or break, resulting in serious injury or death.

Unexpected movement of the jack handle may result in the user being struck causing serious injury or death. Always keep your head away from and out of the jack handle path of movement.

The jack handle may move rapidly when moving the reversing latch and cause serious injury or death. Always place the handle against the steel standard bar with the handle clip spring holding it up before moving the reversing latch. This will prevent the handle from moving up and down rapidly. Securely hold on to the jack handle so your hands do not slip and ensure the handle is not in the horizontal position when moving the reversing latch.

**Important!** During lifting and lowering, the weight of the load pushes up against the jack's handle. If your hands slip off the handle, or if the handle is horizontal when you move the reversing latch, it may move up very quickly.

Raising an inflated tire more than 2" (5cm) above the ground or attempting to lift more than one wheel at a time may result in tip over, unexpected movement and serious injury or death. Always raise an inflated tire less than 2" (5cm) and only one tire at a time.

Handle force required to raise 4,660 lbs. is 177 lbs. at 34" on the handle. Maximum rated load is 4,660 lbs. (2273 kg) up to 48" (121 cm), tested to 7,000 lbs. (3175 kg). Upper 12" of 60" jack is rated to 2,660 lbs. (1209 kg) only, tested to 4,000 lbs. (1818 kg). If you overload the jack during operation, the shear bolt will break. If the shear bolt breaks, as it will at 7,000 lbs. (3175 kg), the load should be supported, but the jack's handle will drop freely. Use a jack with a larger load capacity to lower the load safely to the ground. Do not replace the shear bolt with a bolt of greater strength as this could cause the jack to fail and drop the load. Always use a shear bolt supplied by Hi-Lift Jack Company. Do not replace the shear bolt while the jack is under load.

**⚠ WARNING**

The following hazards or unsafe practices may cause serious injury or death

The jack, while standing vertical and unsupported, may tip over and cause serious injury or death. Always support the jack or lay it on its side when not in use.

This jack will not operate safely without proper lubrication. Using the jack without proper lubrication will result in poor performance and damage to the jack. The jack is not self-lubricating, inspect the jack before use and lubricate when necessary.



All users must read and understand the instructions and safety warnings in the instruction manual and on this product before using the jack. Each user must use the jack safely and maintain it properly.


If any users are not fluent in English, have someone read the instructions to them. Manuals are also available in other languages upon request at no charge.

If you have any questions about using the jack safely, need a new label or manual contact:

Hi-Jack Company  
P.O. Box 228  
Bloomfield, IN 47424-0228 USA

Toll Free: 800.233.2051  
Direct: 812.384.4441  
Fax: 812.384.4592  
Web: <http://www.hi-lift.com>

**⚠ DANGER**



The following hazards or unsafe practices will cause serious injury or death

**DO NOT USE THE JACK TO SUPPORT OR STABILIZE A LOAD.** Using the jack to support or stabilize a load may result in unexpected movement and result in serious injury, being crushed and death. Always securely chock and block (stabilize) the load to be lifted. Never place any part of the body under a raised load without properly chocking and supporting the load.

Using the jack on curved or tubular vehicle bumpers will result in the vehicle slipping off the jack and falling, causing serious injury or death. Use the Bumper Lift or Lift-Mate to lift most vehicles with curved bumpers or plastic bumpers.

When using the jack as a winch:

Always use chains or tow straps that have a greater working load than the jack. If a chain or tow strap breaks while winching, the load could shift or the chain or tow strap could snap back.

When used as a winch, the top clamp-clevis will support up to 5,000 lbs. (2273 kg). Going over this limit will result in the top clamp-clevis bending or breaking, causing the load to move or the chain or tow strap to snap back. This will result in serious injury or death.

When using the jack for clamping, the maximum clamping force of the standard top clamp-clevis is 750 lbs. (340 kg). If you exceed this limit, the standard top clamp-clevis could bend or break, resulting in serious injury or death.

Unexpected movement of the jack handle may result in the user being struck causing serious injury or death. Always keep your head away from and out of the jack handle path of movement.

The jack handle may move rapidly when moving the reversing latch and cause serious injury or death. Always place the handle against the steel standard bar with the handle clip spring holding it up before moving the reversing latch. This will prevent the handle from moving up and down rapidly. Securely hold on to the jack handle so your hands do not slip and ensure the handle is not in the horizontal position when moving the reversing latch.

**Important!** During lifting and lowering, the weight of the load pushes up against the jack's handle. If your hands slip off the handle, or if the handle is horizontal when you move the reversing latch, it may move up very quickly.

Raising an inflated tire more than 2" (5cm) above the ground or attempting to lift more than one

the ground or attempting to lift more than one wheel at a time may result in tip over, unexpected movement and serious injury or death. Always raise an inflated tire less than 2" (5cm) and only one tire at a time.

Handle force required to raise 4,660 lbs. is 177 lbs. at 34" on the handle. Maximum rated load is 4,660 lbs. (2273 kg) up to 48" (121 cm), tested to 7,000 lbs. (3175 kg). Upper 12" of 60" jack is rated to 2,660 lbs. (1209 kg) only, tested to 4,000 lbs. (1818 kg). If you overload the jack during operation, the shear bolt will break. If the shear bolt breaks, as it will at 7,000 lbs. (3175 kg), the load should be supported, but the jack's handle will drop freely. Use a jack with a larger load capacity to lower the load safely to the ground. Do not replace the shear bolt with a bolt of greater strength as this could cause the jack to fail and drop the load. Always use a shear bolt supplied by Hi-Lift Jack Company. Do not replace the shear bolt while the jack is under load.

## ⚠ WARNING

The following hazards or unsafe practices may cause serious injury or death

The jack, while standing vertical and unsupported, may tip over and cause serious injury or death. Always support the jack or lay it on its side when not in use.

This jack will not operate safely without proper lubrication. Using the jack without proper lubrication will result in poor performance and damage to the jack. The jack is not self-lubricating, inspect the jack before use and lubricate when necessary.



All users must read and understand the instructions and safety warnings in the instruction manual and on this product before using the jack. Each user must use the jack safely and maintain it properly.

If any users are not fluent in English, have someone read the instructions to them. Manuals are also available in other languages upon request at no charge.

If you have any questions about using the jack safely, need a new label or manual contact:

Hi-Jack Company  
P.O. Box 228  
Bloomfield, IN 47424-0228 USA

Toll Free: 800.233.2051  
Direct: 812.384.4441  
Fax: 812.384.4592  
Web: <http://www.hi-lift.com>

# General Safety

## Training

- Read this manual before use. Do not allow anyone who has not read this manual, and/or does not understand the requirements, use the jack.

## Spectators

- Do not allow bystanders around the jack or under the load supported only by the jack.

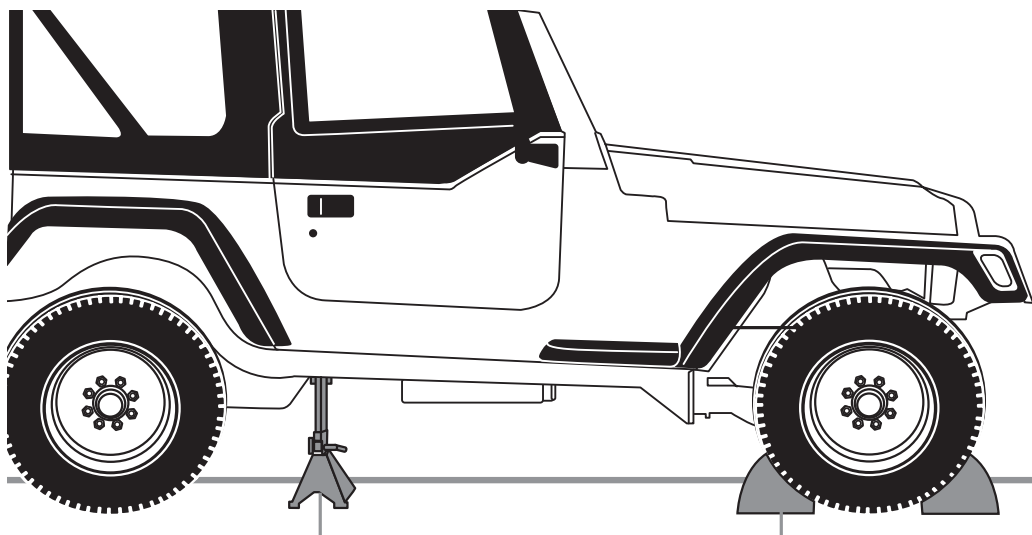
## Inspection

- Inspect the jack carefully before each use. Ensure the jack is not damaged, excessively worn, or missing parts.
- Check the climbing pins to make sure that they are not worn or damaged.
- Check the steel standard bar to make sure that it is straight and that nothing is blocking the steel standard bar holes.
- Do not use the jack unless it is in good clean working condition.
- Do not use the jack unless it is properly lubricated.
- Using a jack that is not in good clean working condition or properly lubricated may cause serious injury (see *Lubrication*).

## Chock and Block (Stabilize)

A chock is a wedge for steadying an object and holding it motionless, or for preventing the movement of a wheel. Chock the wheel opposite the end being lifted.

When you block a load, you secure and support a load that is being lifted. The block(s) or stabilizer(s) should have a weight capacity that is greater than the weight of the load which is being lifted. Do not use the jack to support the load.



Blocks stabilize the load

Chocks prevent movement

# Operation Instructions

## Raising a Stationary Load

### ⚠ DANGER



DO NOT USE THE JACK TO SUPPORT OR STABILIZE A LOAD. Using the jack to support or stabilize a load may result in unexpected movement and result in serious injury, being crushed and death. Always securely chock and block (stabilize) the load to be lifted. Never place any part of the body under a raised load without properly chocking and supporting the load.



Using the jack on curved or tubular vehicle bumpers will result in the vehicle slipping off the jack and falling, causing serious injury or death. Use the Bumper Lift or Lift-Mate to lift most vehicles with curved bumpers or plastic bumpers.

Unexpected movement of the jack handle may result in the user being struck causing serious injury or death. Always keep your head away from and out of the jack handle path of movement.

The jack handle may move rapidly when moving the reversing latch and cause serious injury or death. Always place the handle against the steel standard bar with the handle clip spring holding it up before moving the reversing latch. This will prevent the handle from moving up and down rapidly. Securely hold on to the jack handle so your hands do not slip and ensure the handle is not in the horizontal position when moving the reversing latch.

**Important!** During lifting and lowering, the weight of the load pushes **up** against the jack's handle. If your hands slip off the handle, or if the handle is horizontal when you move the reversing latch, it may move up very quickly.



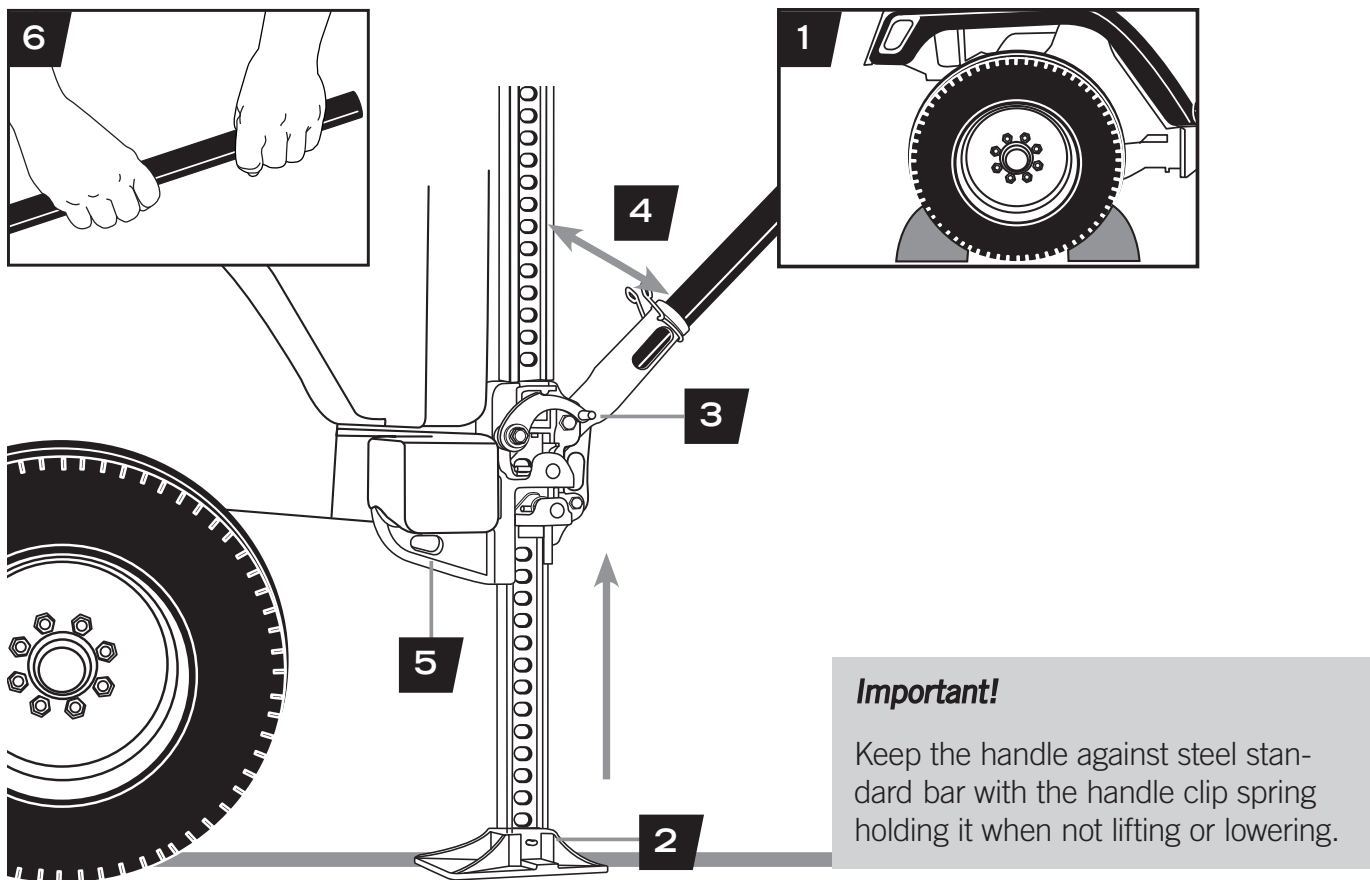
Raising an inflated tire more than 2" (5cm) above the ground or attempting to lift more than one wheel at a time may result in tip over, unexpected movement and serious injury or death. Always raise an inflated tire less than 2" (5cm) and only one tire at a time.

Handle force required to raise 4,660 lbs. is 177 lbs. at 34" on the handle. Maximum rated load is 4,660 lbs. (2273 kg) up to 48" (121 cm), tested to 7,000 lbs. (3175 kg). Upper 12" of 60" jack is rated to 2,660 lbs. (1209 kg) only, tested to 4,000 lbs. (1818 kg).

If you overload the jack during operation, the shear bolt will break. If the shear bolt breaks, as it will at 7,000 lbs. (3175 kg), the load should be supported, but the jack's handle will drop freely. Use a jack with a larger load capacity to lower the load safely to the ground. Do not replace the shear bolt with a bolt of greater strength as this could cause the jack to fail and drop the load. Always use a shear bolt supplied by Hi-Lift Jack Company. Do not replace the shear bolt while the jack is under load.

## Operation · Raising a Stationary Load

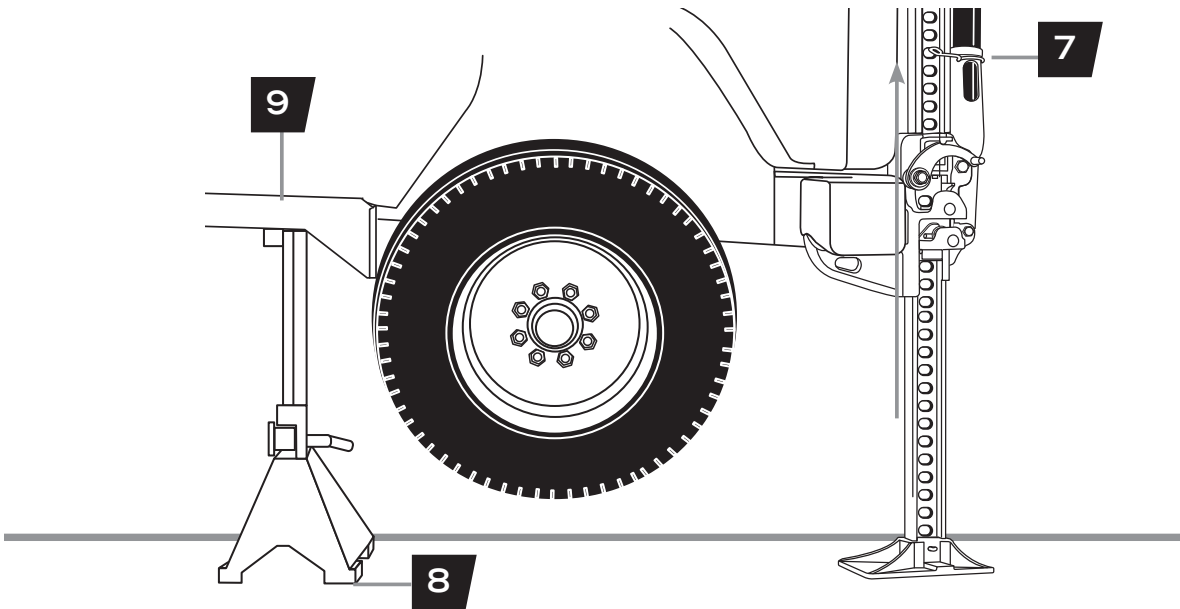
1. Securely chock and stabilize the load to prevent it from rolling or shifting as you lift it (see General Safety: Chock and Block).
2. Place the jack's base plate securely on a firm, level, and dry surface with the steel standard bar pointing straight up.
3. Lift the reversing latch until it locks in the **up** position.
4. Pull the handle away from the steel standard bar, releasing the handle clip spring.
5. Grasp the handle or the handle socket and raise the lifting mechanism until the large runner is completely and securely under the load.



6. Grasp the handle firmly with both hands. Carefully pump the handle up and down to raise the load. Do not use an extension on the handle.

The load will be raised on each **down** stroke of the handle. Watch the load and the jack carefully. Stop lifting if either one starts to move. Do not continue until it is safe to do so. When safe, stabilize and block the load.

7. When the load is raised to the desired height, place the handle in the upright position clipped to the steel standard bar.
8. Block the load securely.
9. Lower the load onto the blocks (see *Lowering a Stationary Load*).
10. Remove the jack from the stabilized load.



### Additional Instructions For Equipment-Agricultural Jack

1. When attaching the Equipment-Agricultural jack to equipment using tubular mounting brackets, always place lock-pin **completely** through the holes in the tubular mounting bracket.
2. **Always** secure the lock-pin in the tubular brackets with the safety cotter pin.
3. Chock the equipment that you have attached the Equipment-Agricultural jack to before lifting with the Equipment-Agricultural jack. Side lift is limited to 2,000 lbs. (907 kg).

After you have properly hooked the raised equipment to a mobile vehicle, lower the lifting mechanism of the Equipment Agricultural jack to its base and move the reversing latch into the up position.

## Lowering a Stationary Load

### ⚠ DANGER



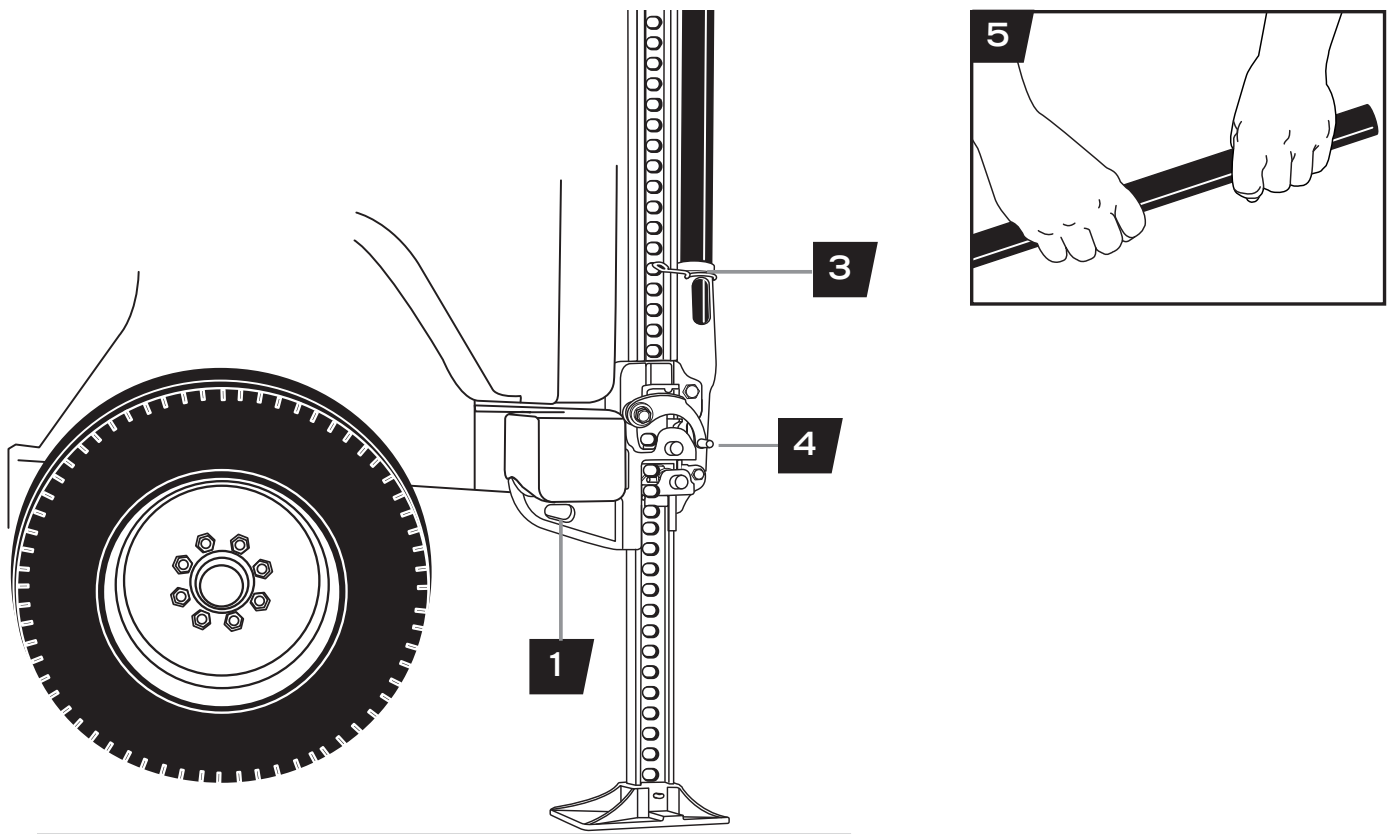
Unexpected movement of the jack handle may result in the user being struck causing serious injury or death. Always keep your head away from and out of the jack handle path of movement.

The jack handle may move rapidly when moving the reversing latch and cause serious injury or death. Always place the handle against the steel standard bar with the handle clip spring holding it up before moving the reversing latch. This will prevent the handle from moving up and down rapidly. Securely hold on to the jack handle so your hands do not slip and ensure the handle is not in the horizontal position when moving the reversing latch.

**Important!** During lifting and lowering, the weight of the load pushes **up** against the jack's handle. If your hands slip off the handle, or if the handle is horizontal when you move the reversing latch, it may move up very quickly.

The jack must have a load of 150 lbs. or more to lower step-by-step. Otherwise, the lifting mechanism will slide down to the base plate, **dropping** your load. Ensure all bystanders are clear of the load being lowered.

1. Position the jack under the raised load and raise the stationary load (see *Raising a Stationary Load*).
2. Remove blocks from under the load.
3. Be sure the handle is in the upright position clipped to the steel standard bar **before** lowering the load.
4. Move the reversing latch to the **down** position.
5. Grasp the handle firmly with both hands. Carefully pump the handle up and down to lower the load.
6. The load will be lowered on each **up** stroke of the handle (refer to *Binding* if the jack binds).



## Clamping or Winching

### ⚠ DANGER



When using the jack as a winch:

Always use chains or tow straps that have a greater working load than the jack. If a chain or tow strap breaks while winching, the load could shift or the chain or tow strap could snap back.

When used as a winch, the top clamp-clevis will support up to 5,000 lbs. (2273 kg). Going over this limit will result in the top clamp-clevis bending or breaking, causing the load to move or the chain or tow strap to snap back. This will result in serious injury or death.

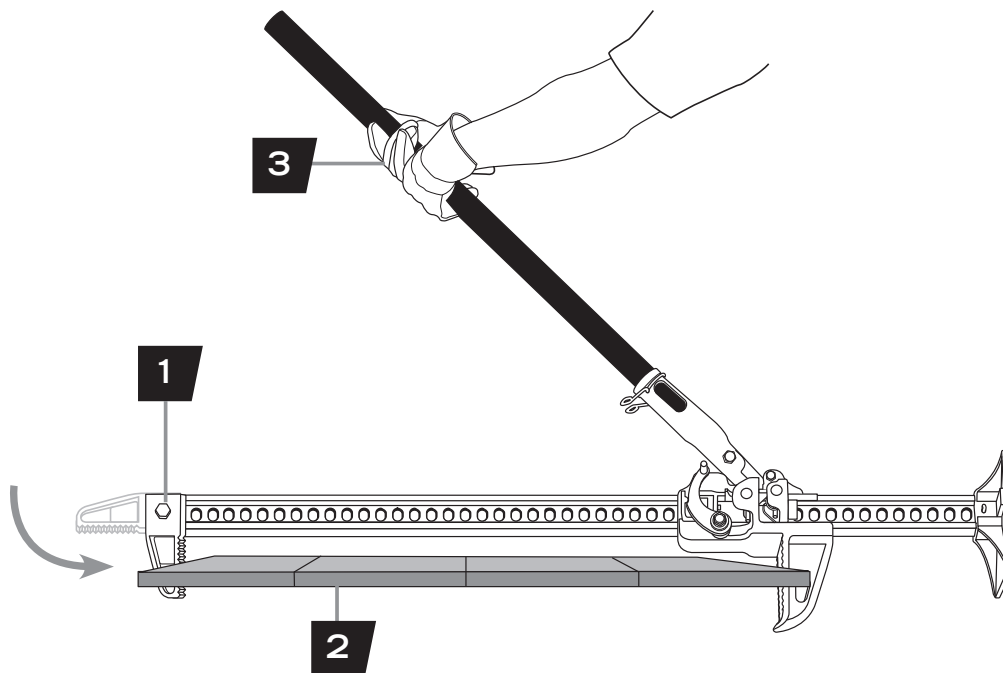
When using the jack for clamping, the maximum clamping force of the standard top clamp-clevis is 750 lbs. (340 kg). If you exceed this limit, the standard top clamp-clevis could bend or break, resulting in serious injury or death.

### Clamping

1. Loosen the standard top clamp-clevis bolt.
2. Turn the top clamp-clevis 90° to the steel standard bar, and re-tighten the bolt.

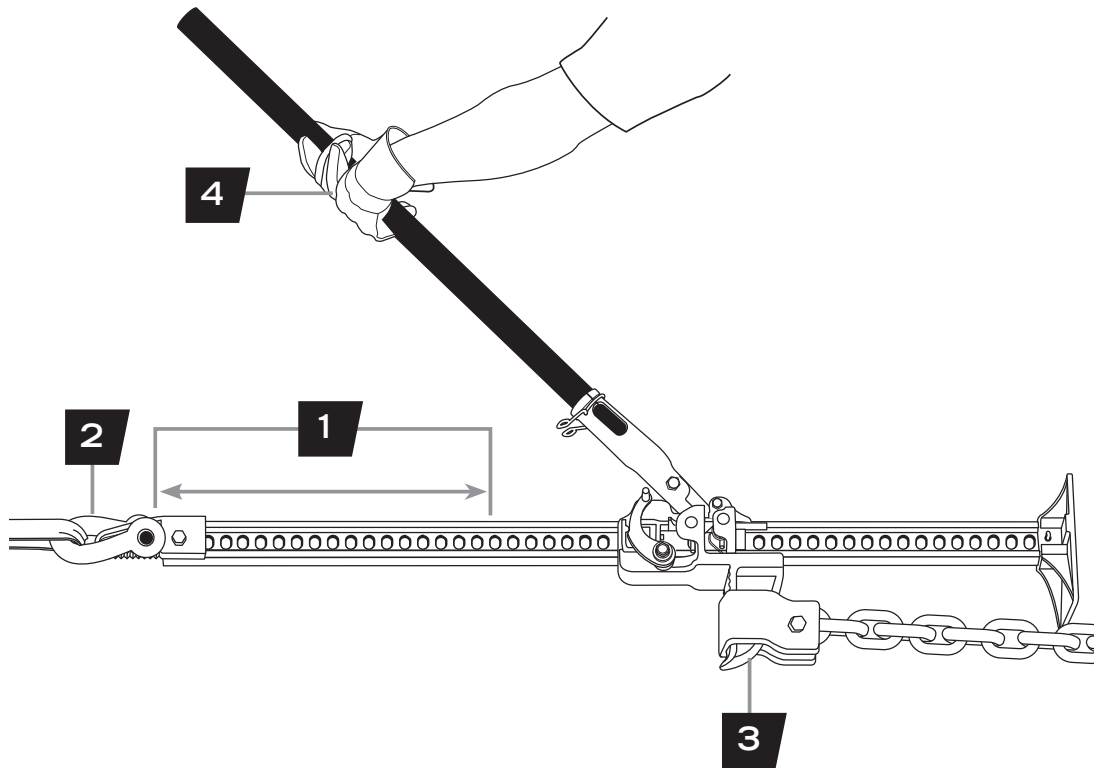
Note: You can connect the top clamp-clevis anywhere along the steel standard bar to use the jack as a clamp.

3. Operate the jack as you would for raising a load (see *Raising a Stationary Load*).



## Winching

1. Make sure the top clamp-clevis is in line with the steel standard bar.
  2. Install one end of a chain or tow strap securely to the object to be winched. Securely attach the other end of the chain or tow strap to the top clamp-clevis of the jack.
- Note:** Use a shackle if the chain or tow strap will not fit through the top clamp-clevis of the jack.
3. Take another chain or tow strap and secure one end to a fixed, stable object. Attach the other end of the chain or tow strap to the large runner on the jack (do not attach chain or shackle to bottom hole of the large runner on the jack). If the fixed object is a tree, follow “Tread Lightly” principles and use a tree strap.
  4. Operate the jack as you would for raising a load (See Raising a Stationary Load).



**Tip:** Use the Hi-Lift Off-Road Kit for items you need for winching which includes; custom winch attachments, D-ring shackle, gloves and a tree strap.



# Maintenance Instructions

If you use and maintain your Hi-Lift jack properly, it will give you many years of service. Follow the maintenance instructions carefully to keep your jack in good working condition. NEVER PERFORM MAINTENANCE ON THE JACK WHILE IT IS UNDER LOAD.

## Cleaning

If the moving parts of the jack or the standard bar are clogged, use air pressure, water pressure, or a stiff brush to clean. Use a non-flammable cleaning solvent or another good de-greaser to clean the jack. Remove any existing rust, preferably with a penetrating lubricant.

## Binding

If the climbing pins start to bind in the holes of the standard bar the jack will not operate properly and safely. Rusty climbing pins, dirt, or worn bar can be causes of binding.

Clean and lubricate the lifting mechanism as indicated in the Lubrication section. Test the jack by lifting it up without a load. If the binding continues, send it to our Factory Service for repair. If the jack binds while under a load, use a jack with equal or larger load capacity to lower the load safely to the ground. After un-binding the jack clean, lubricate and test as described at the start of this paragraph.

## Storing the Jack

1. Place the handle in the upright clipped position against the steel standard bar.
2. Raise the reversing latch until it locks in the **up** position.
3. Store in the upright clipped position in a dry location, preferably indoors.

**Tip:** If the jack is stored outdoors, consider using a Hi-Lift protective cover accessory.

## Storing the Equipment-Agricultural Jack

1. Pivot the Equipment-Agriculture jack to a horizontal position. Rest the steel handle of the Equipment-Agricultural jack on top of the steel standard bar.
2. Secure the jack in this position with the lock-pin through the holes in the tubular mounting bracket.
3. Secure the lock-pin in the tubular mounting brackets with the safety cotter pin.

## Inspection

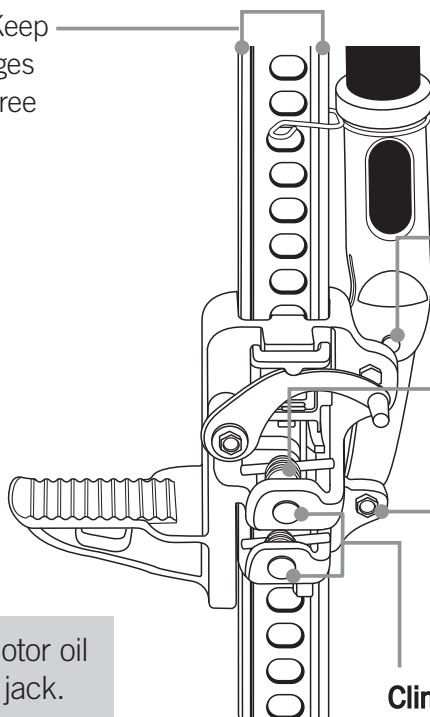
You should inspect the jack for damage, wear, broken or missing parts (e.g.: climbing pins) and functionality before each use (see *General Safety: Inspection*). Follow lubrication and storage instructions for optimum jack performance.

## Lubrication

### ⚠ WARNING

Using the jack without proper lubrication will result in poor performance and damage to the jack. The jack is not self-lubricating, inspect the jack before use and lubricate when necessary. After cleaning, lubricate the jack using light penetrating oil, or a silicon or Teflon spray at the following points:

**Steel Standard Bar:** Keep the front and back edges lightly lubricated and free from dirt and rust.



**Pitman Pin:** Damage to the handle socket will occur if not lubricated

**Springs:** Keep clean and lubricated and free from dirt and rust.

**Shear Bolt:** Wear to the bolt will occur if not lubricated

**Climbing Pins:** Keep clean and lubricated and free from dirt and rust

**Important!** Do not use motor oil or grease to lubricate the jack.

## Repair

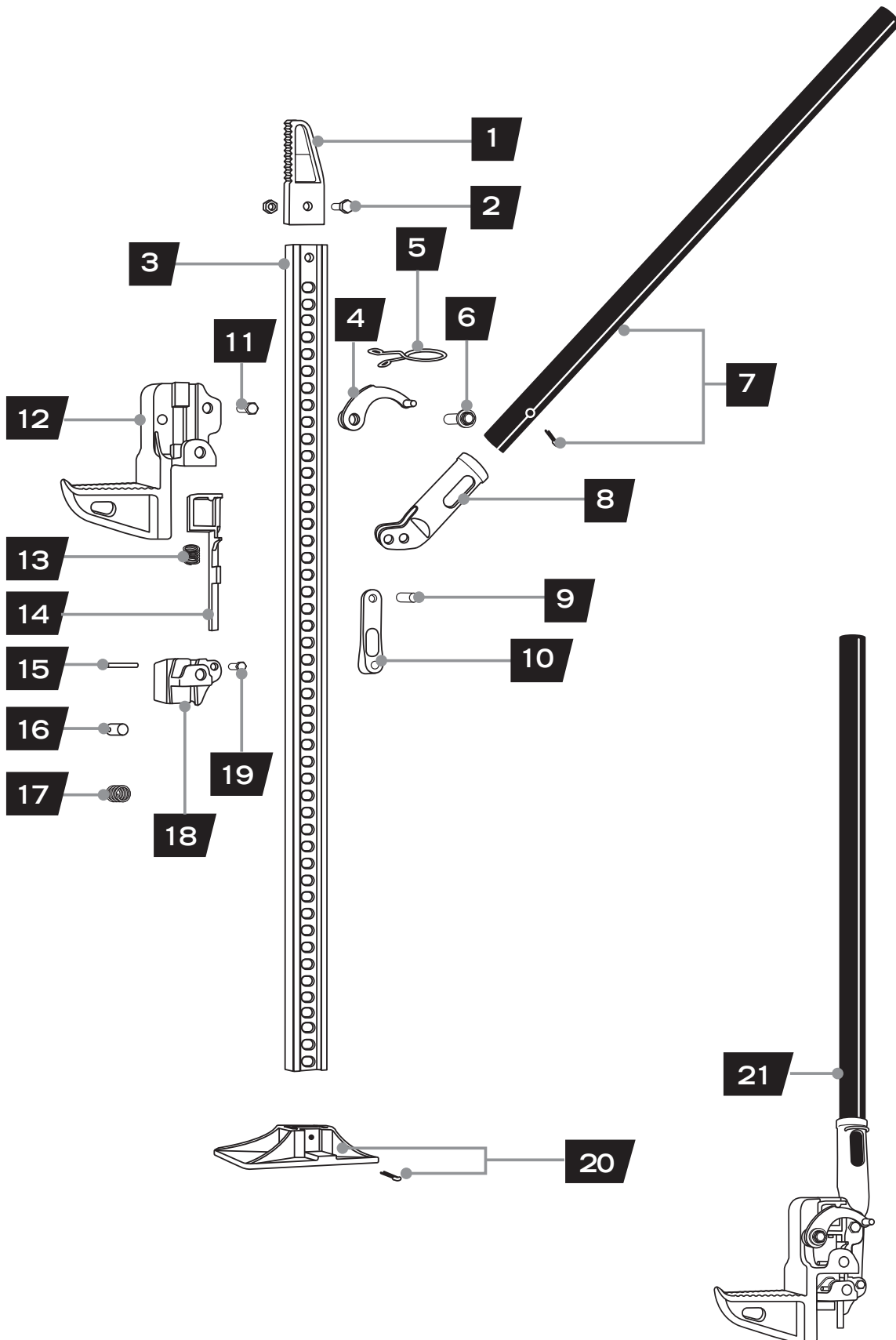
If you need to repair your jack, use only genuine Hi-Lift parts. Using parts not supplied by Hi-Lift® Jack Company will make the jack unsafe for use and void the warranty. Hi-Lift® will repair a damaged jack. Pack the jack in a carton and send prepaid to the address below:

Hi-Lift® Jack Company  
Factory Service Department  
46 West Spring Street  
Bloomfield, Indiana 47424

The repaired jack will be returned to you via USPS, UPS or Fed Ex.

**This Page Intentionally Blank**

# Parts



The following are the parts for all Hi-Lift jacks. You can order parts from your dealer or directly from our factory by calling (800) 233-2051 (or 812-384-4441 from outside the USA). For other options visit [www.hi-lift.com](http://www.hi-lift.com).

1. Top clamp-clevis
2. Top clamp-clevis bolt & nut
3. Steel standard bar
4. Reversing latch
5. Handle clip spring
6. Cap screw with washer
7. Steel handle with cotter pin
8. Handle socket
9. Pitman pin
10. Pitman
11. Hex bolt & nut
12. Large runner
13. Reversing switch spring
14. Reversing switch cam bar
15. Cross pin
16. Climbing pin
17. Climbing pin spring
18. Small runner
19. Shear bolt & nut
20. Foot piece with cotter pin
21. Complete running gear

# Specifications

		36" Cast/Steel	42" Cast	42" Cast/Steel	48" Cast
Weight	lbs	25.02	27.78	26.35	28.16
	kg	11.35	12.60	11.95	12.77
Width	in	5	5	5	5
	cm	12.70	12.70	12.70	12.70
Height	in	41	46	43.5	50.75
	cm	104.14	116.84	110.49	128.91
Depth	in	9.63	9.63	9.63	9.63
	cm	24.46	24.46	24.46	24.46
Rated Load	lbs	4,660	4,660	4,660	4,660
	kg	2113.74	2113.74	2113.74	2113.74
Rated Load Upper 12"	lbs	N/A	N/A	N/A	N/A
	kg	N/A	N/A	N/A	N/A
Tested Load	lbs	7,000	7,000	7,000	7,000
	kg	3175.14	3175.14	3175.14	3175.14
Tested Load Upper 12"	lbs	N/A	N/A	N/A	N/A
	kg	N/A	N/A	N/A	N/A
Rated Side Load	lbs	N/A	N/A	N/A	N/A
	kg	N/A	N/A	N/A	N/A
Clamping	lbs	750	750	750	750
	kg	340.19	340.19	340.19	340.19
Winching	lbs	5,000	5,000	5,000	5,000
	kg	2267.96	2267.96	2267.96	2267.96
Max. Lift height at Nose	lbs	27	34	32	38.63
	cm	68.58	86.36	81.28	98.12
Min. Lift height at Nose	lbs	4.5	4.5	4.5	4.5
	cm	11.43	11.43	11.43	11.43
Lift Height at Side	lbs	N/A	N/A	N/A	N/A
	cm	N/A	N/A	N/A	N/A
Lift Point at Side	lbs	N/A	N/A	N/A	N/A
	cm	N/A	N/A	N/A	N/A

		48" Cast/Steel	60" Cast	60" Cast/Steel	EJ Cast/Steel
Weight	lbs	27.66	31.31	30.12	25.72
	kg	12.55	14.20	13.66	11.67
Width	in	5	5	5	6.13
	cm	12.70	12.70	12.70	15.56
Height	in	48.75	61.75	59.25	36
	cm	123.83	156.85	150.50	91.44
Depth	in	9.63	9.63	9.63	9.63
	cm	24.46	24.46	24.46	24.46
Rated Load	lbs	4,660	4,660	4,660	4,660
	kg	2113.74	2113.74	2113.74	2113.74
Rated Load Upper 12"	lbs	N/A	2,660	2,660	N/A
	kg	N/A	1206.55	1206.55	N/A
Tested Load	lbs	7,000	7,000	7,000	7,000
	kg	3175.14	3175.14	3175.14	3175.14
Tested Load Upper 12"	lbs	N/A	4,000	4,000	N/A
	kg	N/A	1814.37	1814.37	N/A
Rated Side Load	lbs	N/A	N/A	N/A	2,000
	kg	N/A	N/A	N/A	907.18
Clamping	lbs	750	750	750	750
	kg	340.19	340.19	340.19	340.19
Winching	lbs	5,000	5,000	5,000	5,000
	kg	2267.96	2267.96	2267.96	2267.96
Max. Lift height at Nose	lbs	37.24	49.75	48.25	21.13
	cm	94.59	126.37	122.56	53.67
Min. Lift height at Nose	lbs	4.5	4.5	4.5	4.5
	cm	11.43	11.43	11.43	11.43
Lift Height at Side:	lbs	N/A	N/A	N/A	23.75
	cm	N/A	N/A	N/A	60.33
Lift Point at Side	lbs	N/A	N/A	N/A	7
	cm	N/A	N/A	N/A	17.78

# Limited Warranty

## Limited Warranty

Hi-Lift® Jack Company warrants the Hi-Lift® jack for 12 months from the date of purchase, only to the original owner, against defective materials and workmanship. Return the jack or parts thereof, transportation prepaid and with proof of purchase, to the Factory Service Department, Hi-Lift® Jack Company, 46 West Spring Street, Bloomfield, IN 47424. This warranty is void if the jack is modified, used beyond rated capacity, if an extender is used on the handle, or if the jack is abused, misused, not maintained properly, or if non-Hi-Lift® replacement parts are used. This warranty replaces all previous warranties and is the only warranty made by the Hi-Lift® Jack Company on this product. No other warranties, either verbal or written, are authorized. This warranty gives you specific legal rights. You may also have other legal rights that vary from state to state.



# Warranty Registration

Name (print): \_\_\_\_\_

E-mail: \_\_\_\_\_

Address: \_\_\_\_\_

City: \_\_\_\_\_ State: \_\_\_\_\_ Zip: \_\_\_\_\_

Phone number: \_\_\_\_\_

Is this your first Hi-Lift Jack?  YES  NO

Date you received Hi-Lift Jack: Month: \_\_\_\_\_ Day: \_\_\_\_\_ Year: \_\_\_\_\_

Model Number: \_\_\_\_\_ Purchase Price: \_\_\_\_\_

Store Hi-Lift Purchased from: Store Name: \_\_\_\_\_

City: \_\_\_\_\_ State: \_\_\_\_\_

## Jack will be used:

- |                                           |                                       |
|-------------------------------------------|---------------------------------------|
| <input type="checkbox"/> On Farm          | <input type="checkbox"/> Truck        |
| <input type="checkbox"/> Jeep             | <input type="checkbox"/> Car          |
| <input type="checkbox"/> Off-Road Vehicle | <input type="checkbox"/> In Factory   |
| <input type="checkbox"/> In Construction  | <input type="checkbox"/> Other: _____ |

## How did you learn about the Hi-Lift Jack?

- |                                       |                                          |
|---------------------------------------|------------------------------------------|
| <input type="checkbox"/> Brochure     | <input type="checkbox"/> Internet: _____ |
| <input type="checkbox"/> Retail Store | <input type="checkbox"/> Magazine: _____ |
| <input type="checkbox"/> Catalog      | <input type="checkbox"/> Friend          |
| <input type="checkbox"/> Trade Show   | <input type="checkbox"/> Other: _____    |

Cut along dotted line. Mail registration.

Cut along dotted line. Mail registration.

# Notes

See our website at [www.hi-lift.com](http://www.hi-lift.com)  
for information on all Hi-Lift products

**Hi-Lift<sup>®</sup>**

**Hi-Lift Jack Company**

P.O. Box 228  
Bloomfield, IN 47424-0228 USA

**Toll Free:** 800.233.2051

**Direct:** 812.384.4441

**Fax:** 812.384.4592

**Web:** <http://www.hi-lift.com>