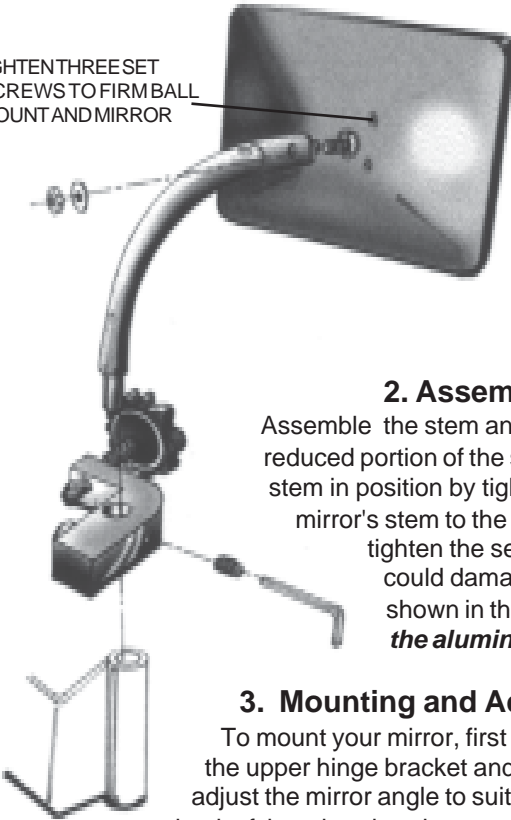


# Mirror-a-rorriM™

## Quick Release Mirror For CJs and Wranglers

TIGHTEN THREE SET  
SCREWS TO FIRM BALL  
MOUNT AND MIRROR



This Mirror System is designed for some Jeep CJ7s and all Jeep Wranglers. With your Jeep's doors removed, the Mirror-a-rorriM provides an outside rearview mirror as required by federal law. The mirror consists of three parts: A stem, mirror head, and machined aluminum mounting mechanism.

### 1. Inspection

Unwrap and inspect your mirror. Report any damage immediately to your shipper. Refunds on damaged mirrors or parts can only come from a written confirmation by the shipper. If you have problems, missing parts, warranty, or need technical do not call your retailer, call Lange at 801-262-7322 for prompt service.

### 2. Assembly

Assemble the stem and aluminum mount as shown in the figure above. Note that the reduced portion of the stem should protrude through the aluminum mount. Secure the stem in position by tightening the locking screw with the hex key provided. Adjust the mirror's stem to the angle most suited to your driving and mirror position. Do not over tighten the set screw since this will limit the break-away feature of the mirror and could damage the mirror head if bumped. Attach the mirror to the stem as shown in the drawing. **To setup the mirror for the left side, simply reverse the aluminum bracket before inserting the stem.**

### 3. Mounting and Adjustments

To mount your mirror, first remove your doors. Slip the bottom of the stem into the barrel of the upper hinge bracket and tighten the locking knob. After adjusting the angle of the stem, adjust the mirror angle to suit your driving position, tighten the three adjusting screws on the back of the mirror head to secure the mirror from excess vibration. If you have trouble because of a tight fit when mounting your mirror, you can sand or file the nylon standoff to give your mirror bracket more clearance.

### Customer Satisfaction

Please call or write if you encounter problems or need assistance. Please call for a return authorization for Items needing Warranty Service. The Warranty Period is based on proof of purchase. Items will be either repaired or replaced at Lange's option. Phone: 801-262-7322

### Limited Warranty

This product is warranted for a period of one year. Soft rubber and plastic parts are warranted for 90 days. This warranty covers defects in material or workmanship and does not cover abuse, improper installation, or misuse. This Warranty is for the said product only and does not cover consequential damages of any kind due to the use of this product. Warranty service requires proof of purchase, and pre-approved return authorization with sent postage prepaid.

3651 South 700 East  
Salt Lake City, Utah 84106  
Phone - 801•262•7322  
FAX - 801•262•5087  
www.langeoriginals.com



#### Helpful Hint:

If after adjusting your mirror, you still have some vibration, especially at high-speed, try mounting the mirror head so that the top-right corner touches the windshield frame. Some vibration with this mirror is unusual because of the type of mirror head mount. We have found that in most cases this is an easy and effective solution if you have this problem.

# Universal Mirror for Jeep YJ and TJ

## The Mirror 2<sup>TM</sup> Mounts to your Windshield Frame !

This Mirror mounts to your existing windshield hinge bracket. No drilling required. The kit includes a full machined aluminum bracket with turret, stem, mirror, screws, and hex wrenches for a complete installation. **The universal bracket mounts on either side of your Jeep and uses the same stem. In some applications, such as a soft door or half door, you may want to order a special "S" bent stem. This will allow the passenger door to open without bumping the mirror head.** Call the factory for details. This instruction set is for both sides.

### 1. Installation

Unwrap and inspect your bracket, stem mount, stem, and mirror. Report any damage immediately to your shipper. Refunds on damaged parts can only come from a written confirmation by the shipper. Save damaged cartons for evidence.

### 2. Assembly

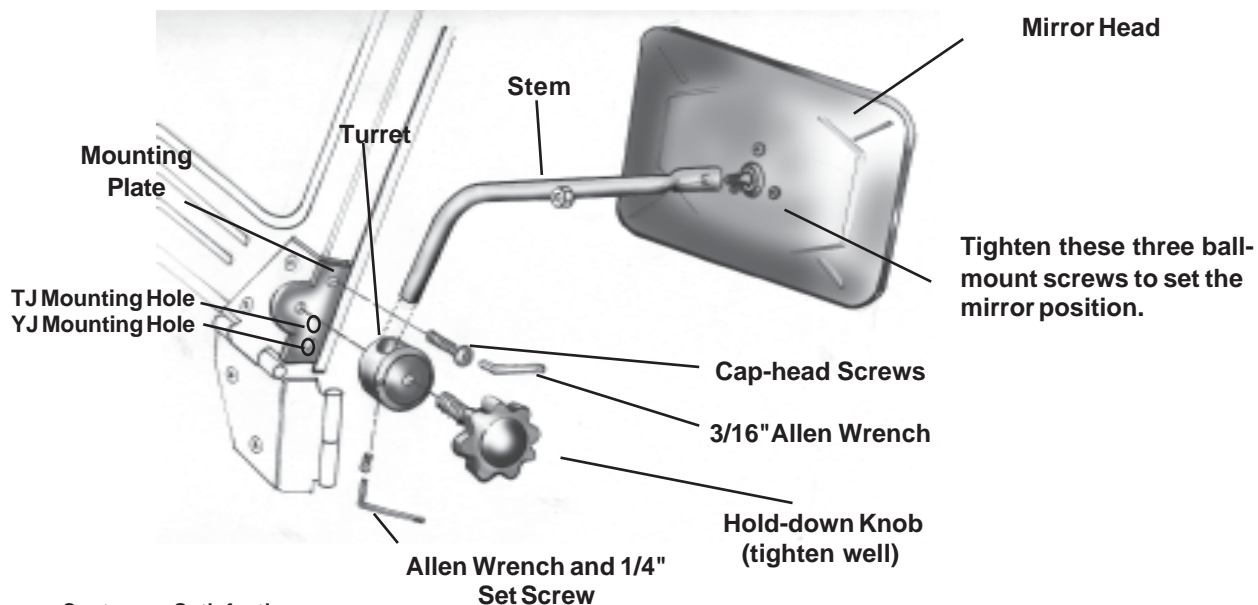
Remove the two outside screws in the lower windshield hinge. If a standard socket torq-head does not do the job, contact a mechanic with an air impact wrench and have him/her loosen it for you. Position and mount the bracket as shown with the two screws and large allen wrench provided (apply some silicone adhesive or grease to the screw thread. This makes removal easier and prevents rust). Check alignment of the bracket before tightening the screws.

The mounting bracket is universal right or left. Simply move the turret to the opposite side of the plate to change the side. Attach the mirror head to the stem as shown. Tighten the holding bolt. Do not tighten the three ball-mount set screws at this time.

Mount the stem in the turret. Lock the stem in position with small allen wrench provided and adjusting the stem for visual alignment with the mirror attached.

Now align all parts and tighten all set screws and bolts, including the three mirror set screws. Readjust as necessary. There are three adjustment possibilities: The stem, mirror, and turret position. All three should be used to gain maximum safe vision from your mirror.

Note: The turret swivels to accommodate a windshield-down position.



### Customer Satisfaction

Please call or write if you encounter problems or need assistance. Please call for a return authorization for items needing Warranty Service. The Warranty Period is based on your receipt. Items will be either repaired or replaced at Lange's option.

**If you are missing parts or have a warranty issue, or need technical assistance, do not call the seller. Call Lange directly for prompt help. 1-801-262-7322**

### limited Warranty

This product is warranted for a period of one year. Soft rubber and plastic parts are warranted for 90 days. This Warranty covers defects in material or workmanship and does not cover abuse, improper installation, or misuse. This Warranty is for the said product only and does not cover consequential damages of any kind due to the use of this product. Warranty service requires proof of purchase, and pre-approved return authorization when returned postage prepaid. Lange will repair or replace product at its discretion and return postage paid to customer.

3651 South 700 East  
Salt Lake City, Utah 84106  
Phone - 801•262•7322  
FAX - 801•262•5087  
www.langeoriginals.com



Copyright Lange Originals 1989,  
Design Copyright Lange Originals  
1997, Pats. Pending.