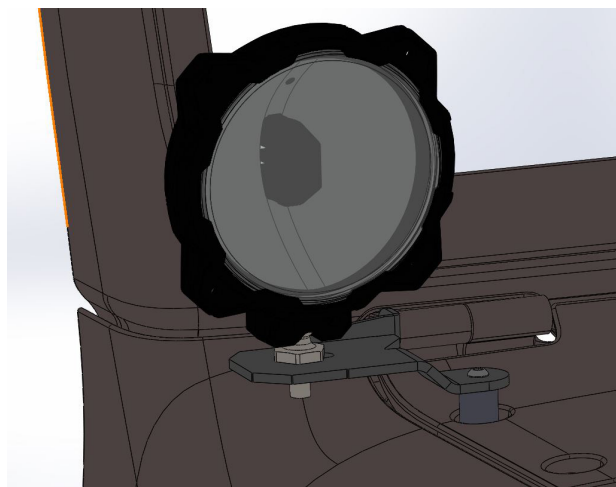


7318 - JEEP JL WRANGLER A-PILLAR LIGHT BRACKET

KC Hilites Jeep Wrangler JL A-Pillar bracket pair is a bolt on part that requires zero vehicle modification. Conveniently using O.E. bolt locations, A-Pillar brackets will provide additional lighting and functionality, illuminating your next adventure.

WARNING: Please read all instructions before beginning installation. These guidelines are provided in good faith to help prevent any issues arising from errors during installation. The manufacturer of this product shall not be held responsible for any user actions taken or not taken during installation. There are many details of the installation that are assumed to be general mechanical knowledge to experienced installers; which are not detailed in these instructions. These installation guidelines are intended to serve as professional recommendations and are not a step-by-step, fail-safe installation checklist. Selection of an experienced installer is the sole responsibility of the project owner.



Jeep JL A Pillar Bracket w/ Gravity Pro6 Single

Parts Included:

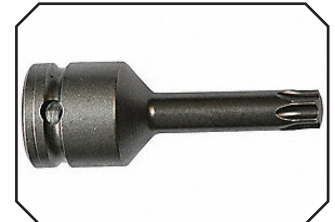
- (1) 7318 Jeep JL A-Pillar Bracket Pair pack
- (2) 7318S - Jeep JL A-Pillar bracket aluminum spacer
- (2) 3548 - M6 - 1.0 X 55mm Button Head Cap Screw
- (2) 3549AB - M6 - Flat washer black stainless

TOOLS NEEDED FOR INSTALLATION

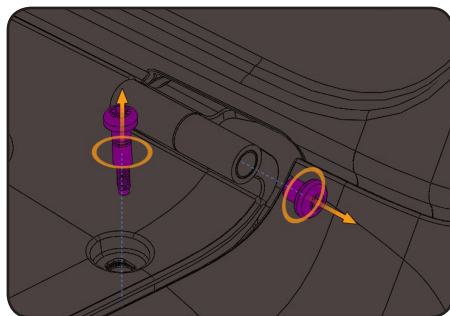
4mm Allen Wrench



T40 and T45 Torx bit

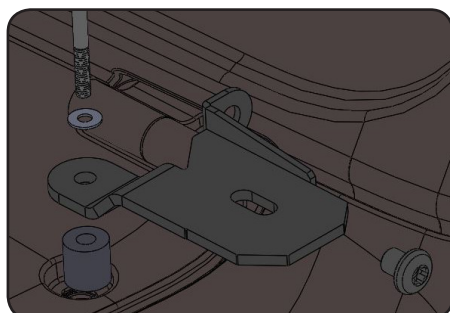


STEP BY STEP INSTRUCTIONS FOR THE INSTALLATION



1. Remove existing Hardware

Use the T45 Torx Bit to remove the barrel nut that is on the outside of the windshield hinge. It may help to use an extension on your socket here. Then proceed by removing the T40 torx bolt that is holding the inner cowl panel on the vehicle. Set aside the stock torx bolt holding down the cowl panel.



2. Install the bracket

Use a T45 bit to reinstall The hinge nut through the bracket and back onto the hinge. Place the provided M6 x 55mm cowl bolt through the washer, bracket, and spacer respectively. Complete the install by tightening the the m6 bolt.

JEEP WRANGLER JL A PILLAR BRACKET

PRODUCT REGISTRATION

Thank you for becoming part of the KC HiLiTES family and purchasing one of our premium KC products! With over 45 years of history in the auxiliary lighting market, you have become a part of our ever growing family, and we encourage you to register your product online at [HTTP://REGISTER.KCHILITES.COM](http://register.kchilites.com) to ensure you get all the benefits of owning a KC HiLiTES product.